

CRUSHING
ROTOCRUSHER

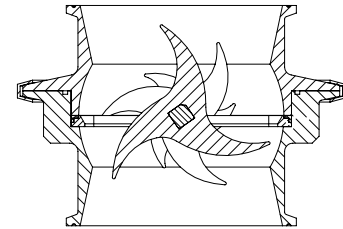
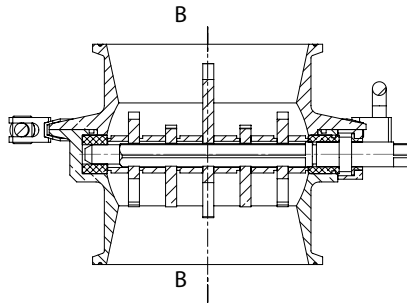
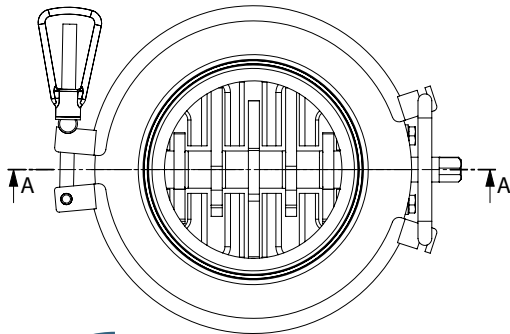


Duquessa d'Orleans, 46 B-3
Barcelona 08034
Tel.: +34 93 322 06 36
Fax: +34 93 441 65 90
info@tiselab.com
www.tiselab.com



STERIVALVES
Process Advantage

It is a lump breaker Its output covers a flow rate ranging from a 750 kg/h minimum to a 3 t/h maximum. Tools are designed taking into consideration specific products. In the processing stage, the product is broken down by one or two rollers.



A possible configuration

TYPICAL APPLICATIONS:

Thanks to its modular, compact construction, the crusher can also be employed as a pre-breaker in conjunction with a sieve, a mill, etc.

MAIN FEATURES:

- Manufactured according to cGMP
- Suitable for CIP and SIP

MATERIALS:

- Stainless steel EN 1.4404 (AISI 316L)

MOTION DRIVE:

- Electric motor

INLET/OUTLET DIAMETERS:

- Minimum dn: 100 mm - Maximum dn: 300 mm

DECLARATIONS AND CERTIFICATIONS:

- FDA Certification (CFR § 177.2600)
- Material Certificate 3.1 as per EN10204

FINISH:

Ra 1.2 μ m external 0,5 internal