



FLEXIVALVE: technical characteristics

- Valve body in stainless steel 1.4404 (AISI 316L) or in advanced plastic FDA approved.
- Silicone coated disc, FDA approved (CFR § 177.2600).
- Gasket in silicone, EPDM, FKM (Viton®) or PTFE: All elastomers are FDA approved (CFR § 177.2600).
- PTFE bushings.
- All Components in stainless steel EN 1.4301 (AISI 304).
- Finish: inside high polish [Ra < 0,1 µm], outside satin [Ra < 0,8 µm].
- Drive: handle or rotary pneumatic actuator.

FLEXIVALVE



The interception of products such as pills, capsules and tablets or pearl drops and plugs made of rubber or silicone does not allow the use of traditional butterfly valves since these products would be damaged. For these applications SteriValves offers **FlexiValve**, a special butterfly valve with a flexible silicone coated disc and a soft seat that allows the interception and isolation of the product flow without any damage. The special clamp that is supplied with the valve (quick dismantling) makes it more ergonomic and sterile. The

FlexiValve is also part of the modular system offered by SteriValves. This system allows the interchangeability of all the components pertaining to the range of sanitary valves. SteriValves offers in addition to **FlexiValve**, **FlexiValve Monobloc**.

FlexiValve Monobloc is composed by only 3 pieces: a monobloc body, a silicone coated disc and a handle.

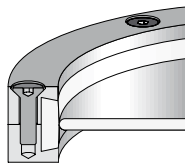
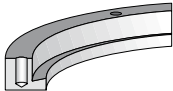
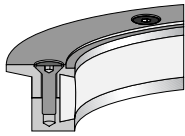
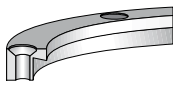
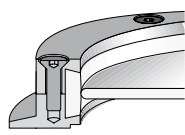
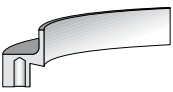
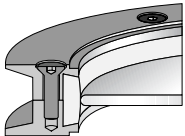
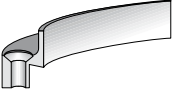
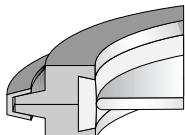

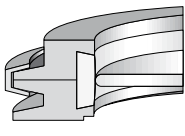
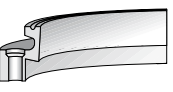
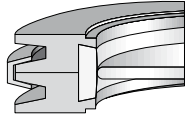
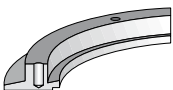
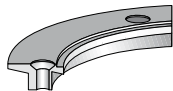



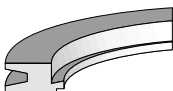
The body can be welded in place on to a container and remain permanently in place for washing purposes. Removal of the valve handle allows the disc to be taken out for thorough cleaning.

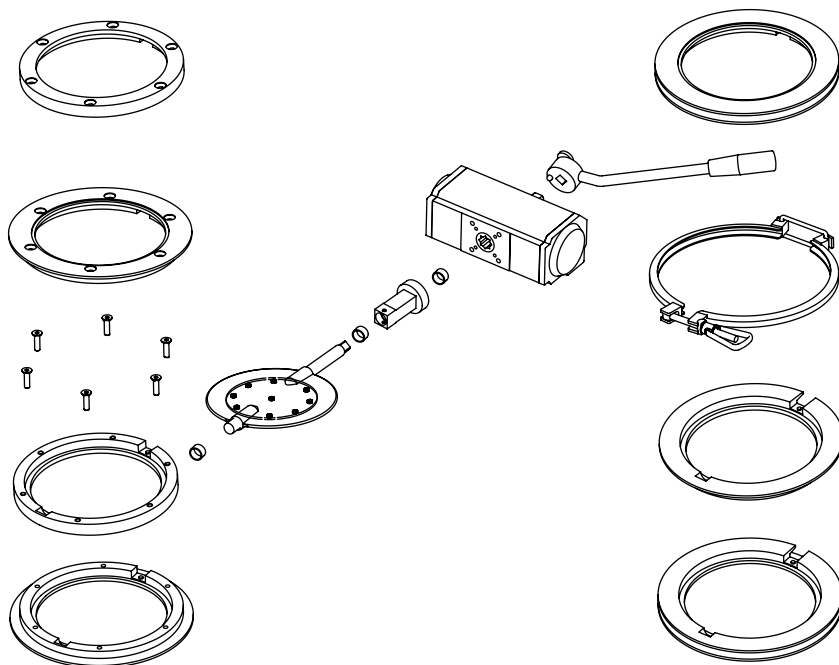


FLEXIVALVE APPLICATIONS

FlexiValve is used for all fragile bulk materials (tablets, pills, capsules, granules, pearl drops) due to its soft silicone coated vane. It can suit a wide range of applications but it has particular advantage to light duty operations in connection to portable bins.

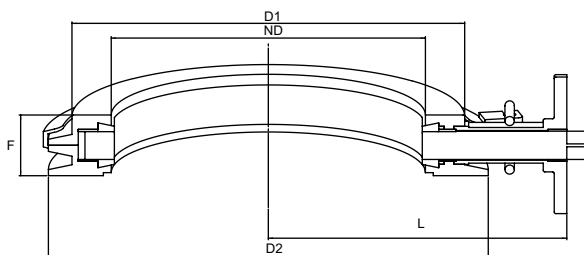
FlexiValve is performed according to CGMP and like all the valves of our modular system is suitable for CIP/SIP applications.

TYPES	COMPONENTS
 FLV SX	 HSB N
 FLV BX	 HST N
 FLV CX	 HSB C
 FLV DX	 HST C
 FLV SR	 HSB T
 FLV CR	 HST T
 FLV DR	 HCB N
	 HCT N
	 HSR N
	 HSR C
	 HSR T
	 HCR N



FLEXIVALVE DIMENSION

ND	D1	D2	F	L	øA
80	130	145	36	120	□10ø15
100	150	180	36	130	□10ø15
150	200	230	40	165	□10ø18
200	250	280	40	190	□14ø18
250	300	330	45	225	□14ø22



SteriValves Srl - Via Enrico Mattei, 393 55100 Lucca, Italy

T +39 0583 440 560 F +39 0583 440 559

www.sterivalves.eu VAT IT01722430467